

CLCM1C155A,4C155A Wall Modules

MOUNTING INSTRUCTIONS
MONTAGEANLEITUNG
INSTRUCTIONS D'INSTALLATION
DOCUMENTATIE VAN DE INSTALLATIE
MONTAVIMO INSTRUKCIJA
ИНСТРУКЦИЯ ПО МОНТАЖУ
INSTRUCȚIUNI DE MONTARE
MONTAJ ANLATIMI
SZERELESI UTASÍTÁS
NÁVOD K MONTÁŽI



A. CAUTION

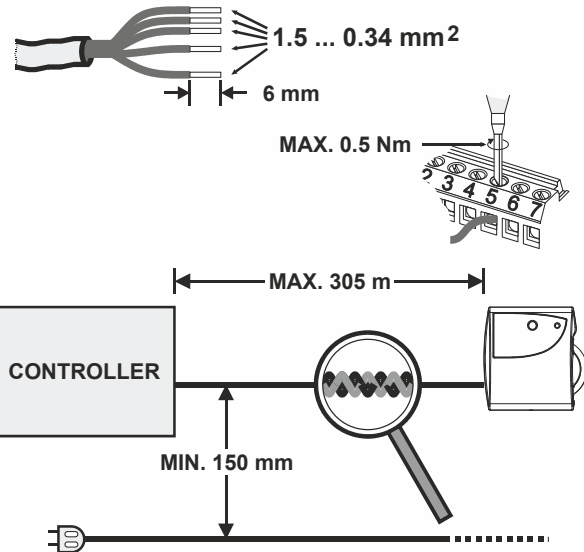
⚠ WARNING

Risk of electric shock or equipment damage!

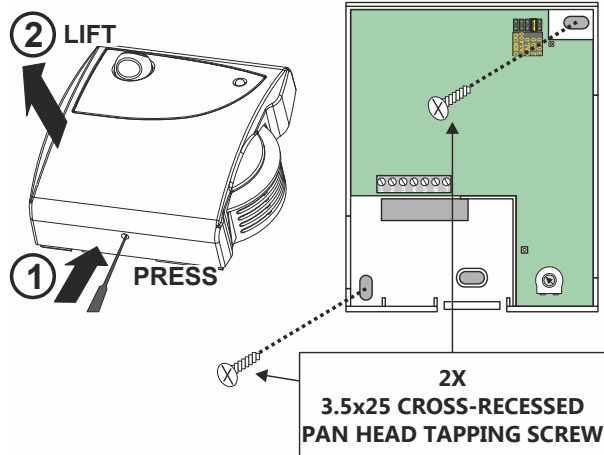
- ▶ Do not touch any live parts.
- ▶ Disconnect power supply before making connections.
- ▶ Do not reconnect power until installation is complete.
- ▶ Observe precautions for handling electrostatic sensitive devices.



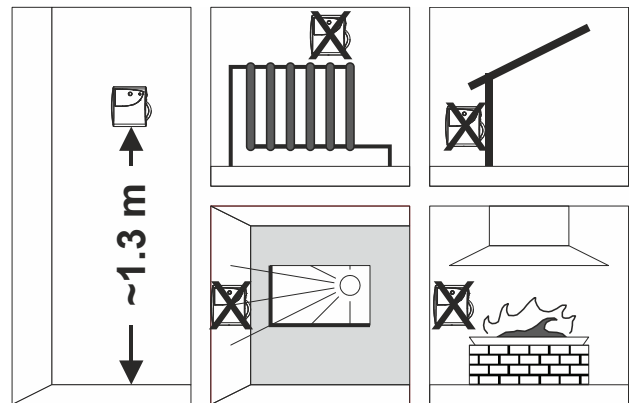
B. WIRING



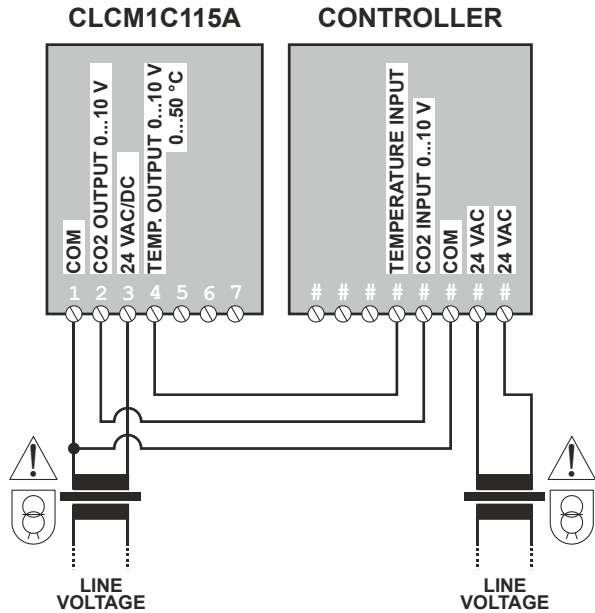
C. REMOVING COVER, INSERTING SCREWS



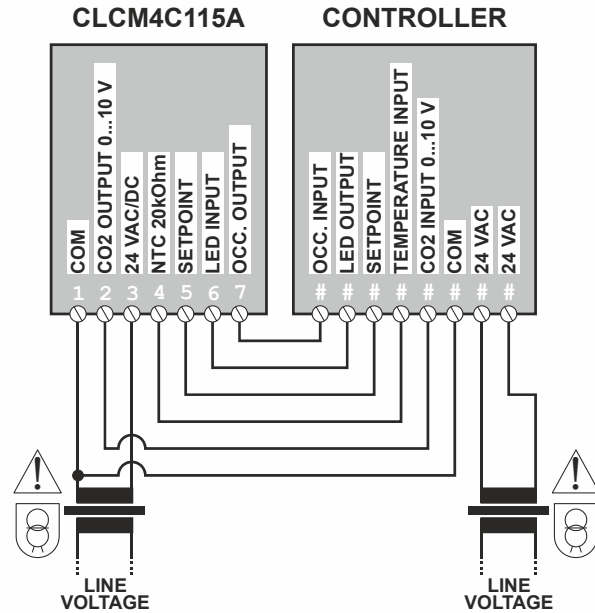
D. INSTALLATION POSITION



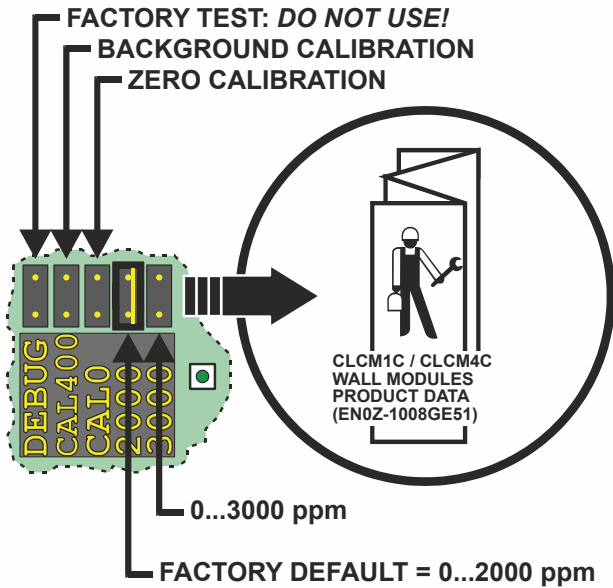
E. WIRING TERMINALS CLCM1C155A



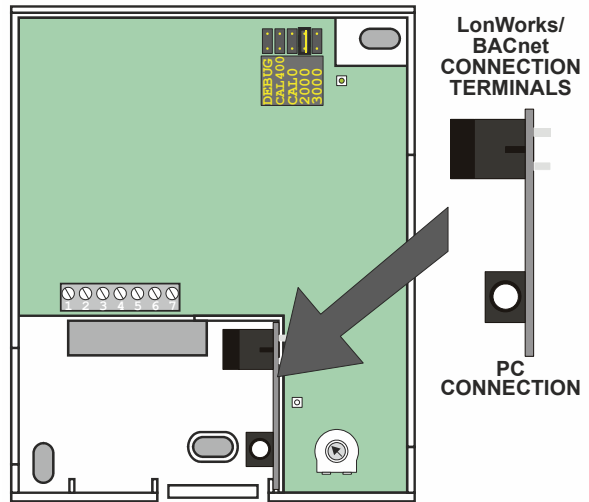
F. WIRING TERMINALS CLCM4C155A



G. CONFIGURATION JUMPER



H. T7460-LONJACK (OPTIONAL)



Manufactured for and on behalf of the Environmental & Energy Solutions Division of Honeywell Technologies Sàrl, Rolle, Z.A. La Pièce 16, Switzerland by its Authorized Representative:

Centraline
 Honeywell GmbH
 Böblinger Strasse 17
 71101 Schönaich, Germany
 Phone +49 (0) 7031 637 845
 Fax +49 (0) 7031 637 740
info@centraline.com
www.centraline.com

Subject to change without notice
 MU1Z-1008GE51 R0217C

