

CLCM3T111 Wall Module

Installation Instructions

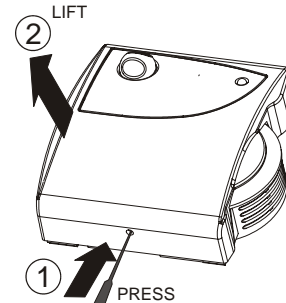
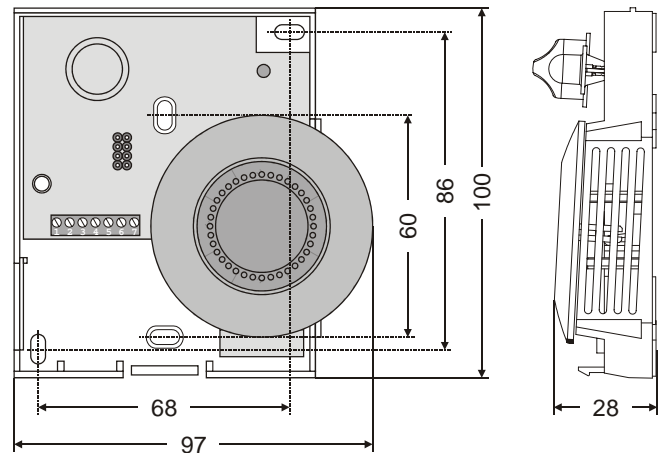


Fig. 2. Removing housing cover

2. Screw the CLCM3T111 to the flush distribution box.



DESCRIPTION

The CLCM3T111 remote regulator is a temperature selector equipped with operating mode switch, room temperature sensor, and error indicator LED. It is designed for use in conjunction with the PANTHER Controller.

INSTALLATION

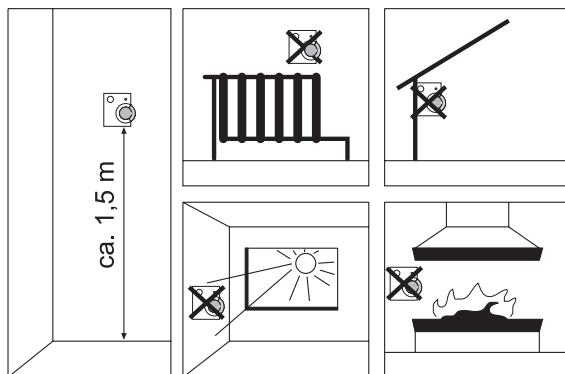


Fig. 1. Locations for installation of the CLCM3T111

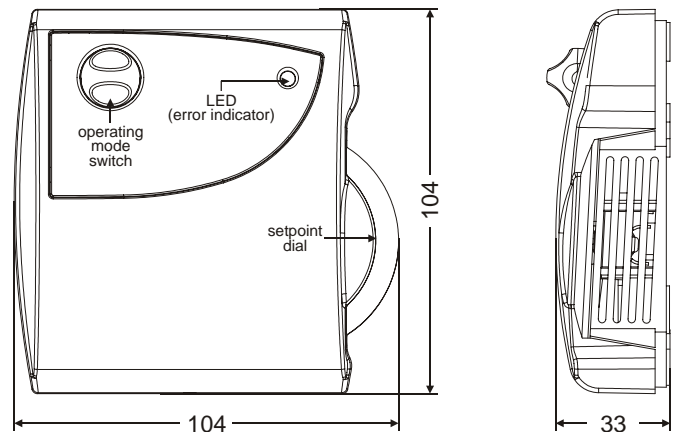


Fig. 3. Dimensions of housing (mm)

1. Remove housing cover of the CLCM3T111.

3. Connect the cable coming from the controller.

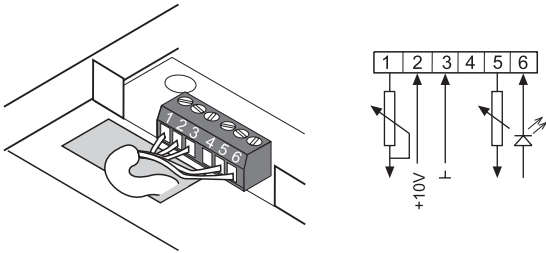


Fig. 4. Wiring diagram

Table 1. Wiring of the terminals

terminal		terminal	
1	desired value	4	not used
2	+ 10 V	5	room sensor
3	earth	6	LED

4. Return cover to housing by snapping it into place as shown in Fig. 5.

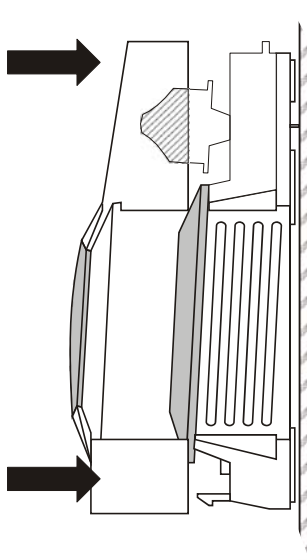


Fig. 5. Replacing of housing cover

Table 2. Functions of operation mode switch

position	operating mode	function
Auto	automatic	Heating is controlled by timer.
☼	daytime	Only desired value for day applies.
☾	OFF	Heating is switched OFF. In the event of danger of frost, the heating pump and the burner are automatically switched back ON.

NOTE: The operating mode switch of the CLCM3T111 does not in any way influence warm water programs.

Temperature Selector

The desired value can be changed only if the operating mode switch is set to positions **Auto** or **☼** respectively.

Range: -7...+7 °C

Mid-point position: 0 °C
(in relation to controller settings)

LED

The LED is currently not used.

TECHNICAL DATA

Sensor device:	NTC thermistor
Resistance:	20 kΩ at 25 °C
Temperature range:	-15...+40 °C
Dimensions (H×W×D):	104 × 104 × 33 mm
Installation:	Installation on wall or on standard 60 mm distribution box
Max. operating temp.:	0...50 °C
Max. oper. humidity:	5...95% humidity
Max. storage temp.:	-35...+70 °C
Max. storage humidity:	5...95% humidity
Electric connection:	Terminals for max. 1.0 mm ² wire diameter
Protection class:	IP 30, DIN 40 050 or IEC 144

Operating Mode Switch

The operating mode switch allows for the selection of three different functions described in Table 2.

The temperature range and options of the operating mode switch can be chosen to suit your needs.

The feedback control system of the PANTHER Controller provides information on the current configuration of the switch.

Manufactured for and on behalf of the Environmental and Combustion Controls Division of Honeywell Technologies Sàrl, Ecublens, Route du Bois 37, Switzerland by its Authorized Representative:

Centraline
Honeywell GmbH
Böblinger Straße 17
D-71101 Schönaich
Tel +49 7031 637 845
Fax +49 7031 637 846
info@centraline.com
www.centraline.com

Centraline
Honeywell Control Systems Ltd.
Arlington Business Park
UK-Bracknell, Berkshire RG12 1EB
Tel +44 13 44 656 565
Fax +44 13 44 656 563
info-uk@centraline.com
www.centraline.com

Printed in Germany.
Subject to change
without notice.
EN1Z-0903GE51
R0705B

DIN EN ISO
9001/14001

